



Friedhelm TRAPP GmbH

Ostring 15 - 63533 Mainhausen - Zentrale: 06182/9294-5 - Fax: 06182/9294-69 - Mail: trapp@f-trapp.de

www.f-trapp.de

Supply bollard TVP-4600



Applicationexample TVP-4600

Description

Modern supply bollard for universal applications.

This model charms visitors with its simple design. Despite internal size, it is a slim and elegant appearance.

It is equipped with a modern electrical system (with plugs, fuses and earth leakage current breakers). The electrical equipment can be customized according to the space available on your wishes.

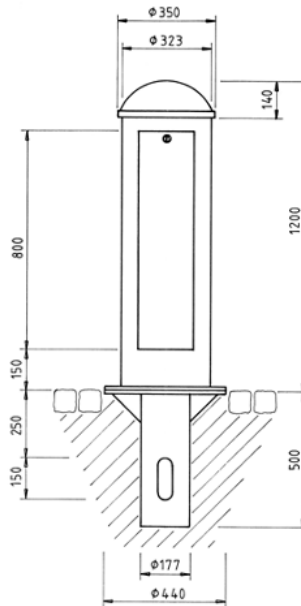
The operation is also possible with the door closed.

This supply bollard is alternatively also be equipped with a water connection.



Supply bollard TVP-4600

Dimensioning



Technical specifications:

Casing:

- Steel tube \varnothing 323 x 5,6 mm, galvanized
- Decorative items made of cast aluminum
- One or two doors with triangular locking mechanism and cable entry opening
- Security cylinder lock against surcharge possibly
- with flange for mounting on ground base or existing concrete base
- Paint finish in RAL color of your choice

Default electric installation:

- 1 x CEEform-socket 32A, 5p, 400V
- 1 x MCBs 32A, 3p, C
- 1 x CEEform-socket 16A, 5p, 400V
- 1 x MCBs 16A, 3p, C
- 3 x Earthed socket 16A, 230V
- 3 x MCB 16A, 1p, B
- 2 x earth leakage current breaker 40A, 0,03A, 4p
- 2 x Connections 5 x 10 mm²

Default water installation:

- 2 x cold water meter 3/4", certified,
- 2 x outlet valve 3/4",
- 1 x free vent valve 1 1/4" with non return and emptying,

Adapting the electrical and Water installation according to the space available according to customer requirements.



Friedhelm TRAPP GmbH

Ostring 15 - 63533 Mainhausen - Zentrale: 06182/9294-5 - Fax: 06182/9294-69 - Mail: trapp@f-trapp.de

www.f-trapp.de

Supply bollard TVP-4600

Applicationexample

