

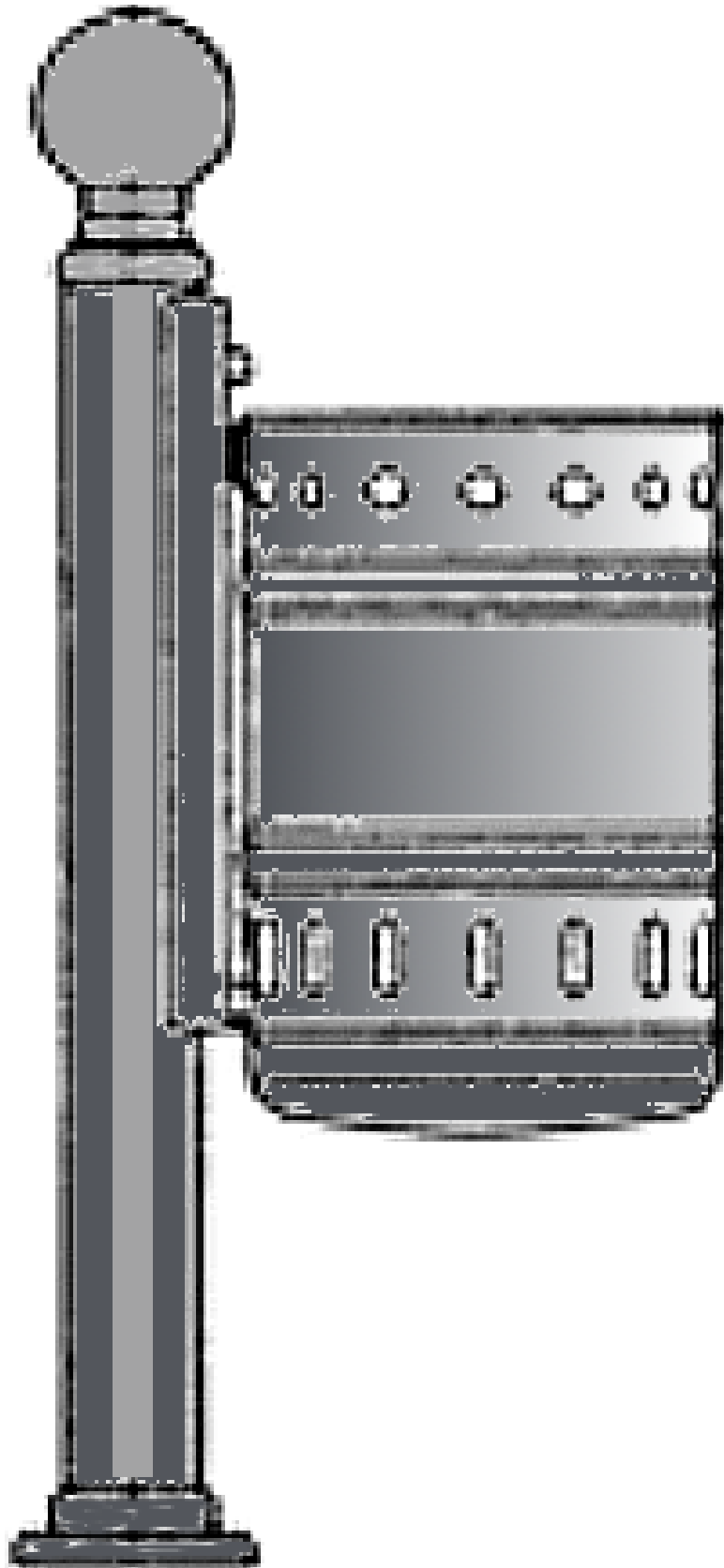


# Friedhelm TRAPP GmbH

Ostring 15 - 63533 Mainhausen - Zentrale: 06182/9294-5 - Fax: 06182/9294-69 - Mail: trapp@f-trapp.de

[www.f-trapp.de](http://www.f-trapp.de)

## Waste bin TAB-3004.20/30





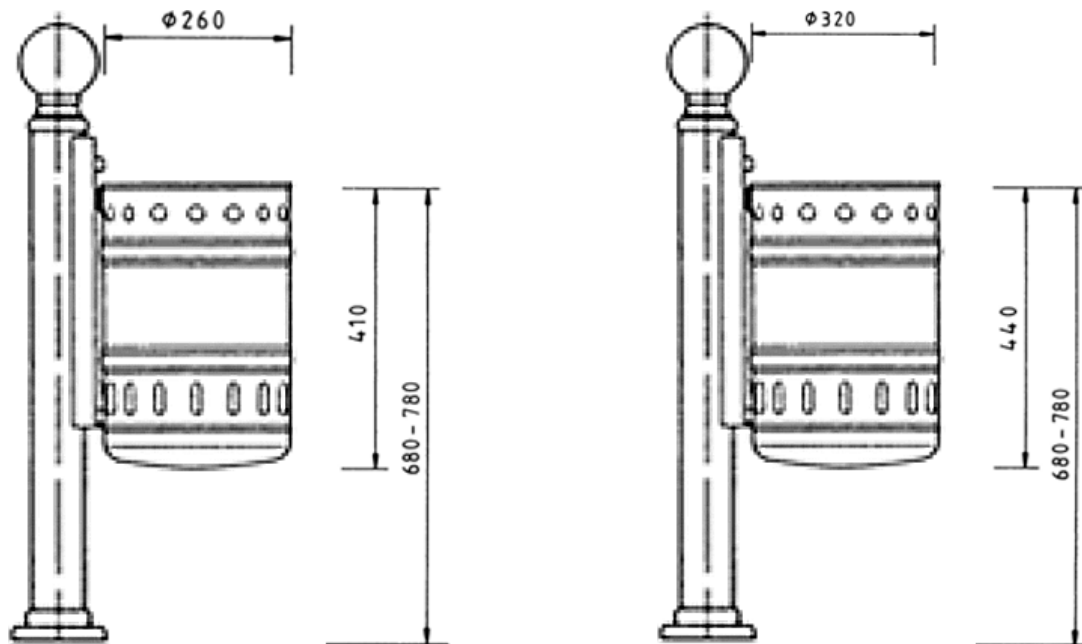
# Friedhelm TRAPP GmbH

Ostring 15 - 63533 Mainhausen - Zentrale: 06182/9294-5 - Fax: 06182/9294-69 - Mail: trapp@f-trapp.de

[www.f-trapp.de](http://www.f-trapp.de)

## Waste bin TAB-3004.20/30

### Technical description:



Waste bin TAB-3004.20

Waste bin TAB-3004.30

**Can be combined with various bollards of our program**

#### Material:

Container: Galvanized sheet steel, removable

Locking splint: folded sheet steel, hot dip galvanized

#### Coating:

2 or 3 times lacquered, top coat RAL color of your choice

#### Connecting elements:

made of stainless steel

#### Container capacity:

TAB-3004.20: approx. 21 liters with triangular locking mechanism

TAB-3004.30: approx. 33 liters with triangular locking mechanism