

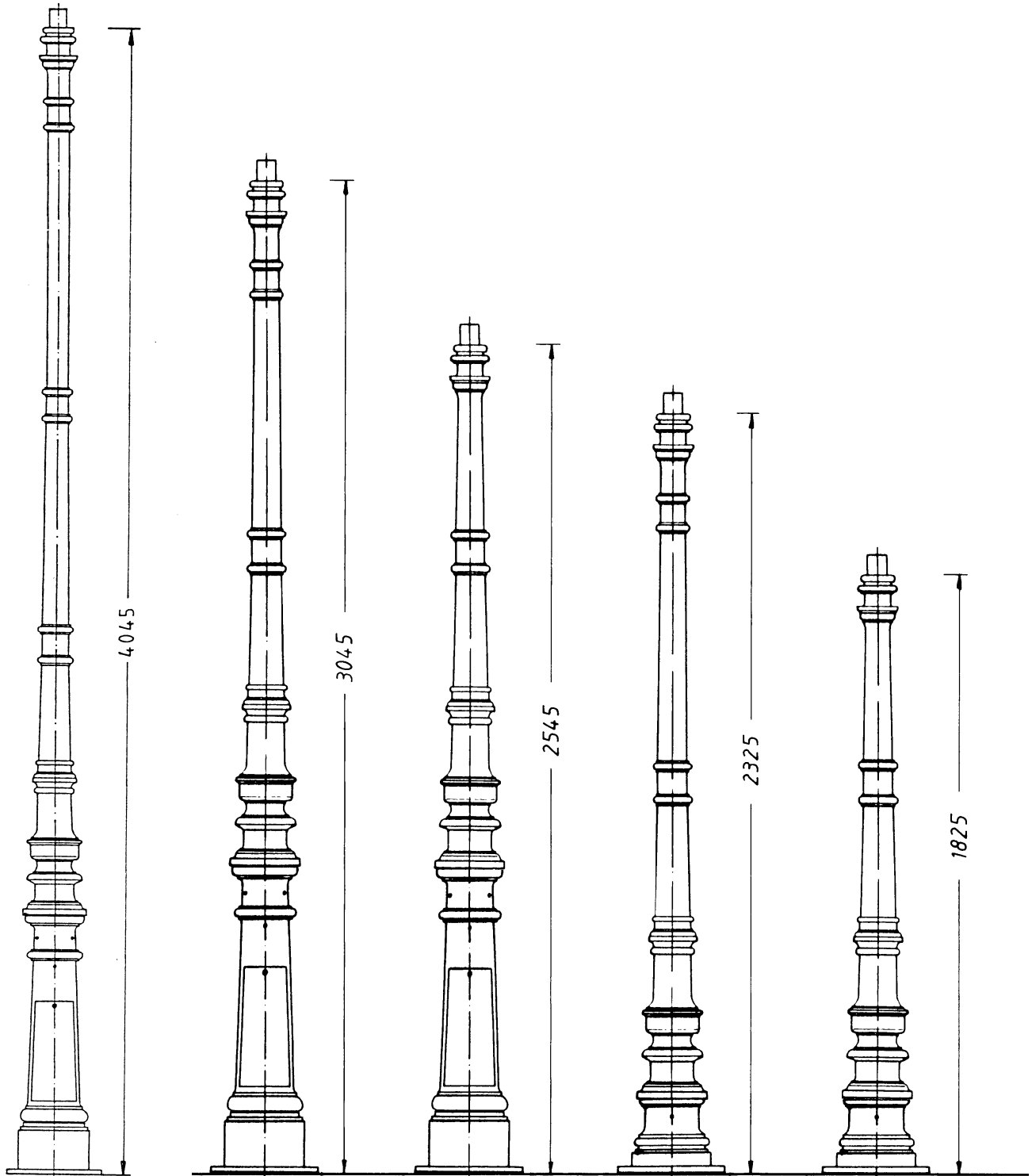


Friedhelm TRAPP GmbH

Ostring 15 - 63533 Mainhausen - Zentrale: 06182/9294-5 - Fax: 06182/9294-69 - Mail: trapp@f-trapp.de

www.f-trapp.de

Candelabra THK-630 „Rastatt“



Historical Candelabra THK-630 on candelabra base THK-630-A/630-C

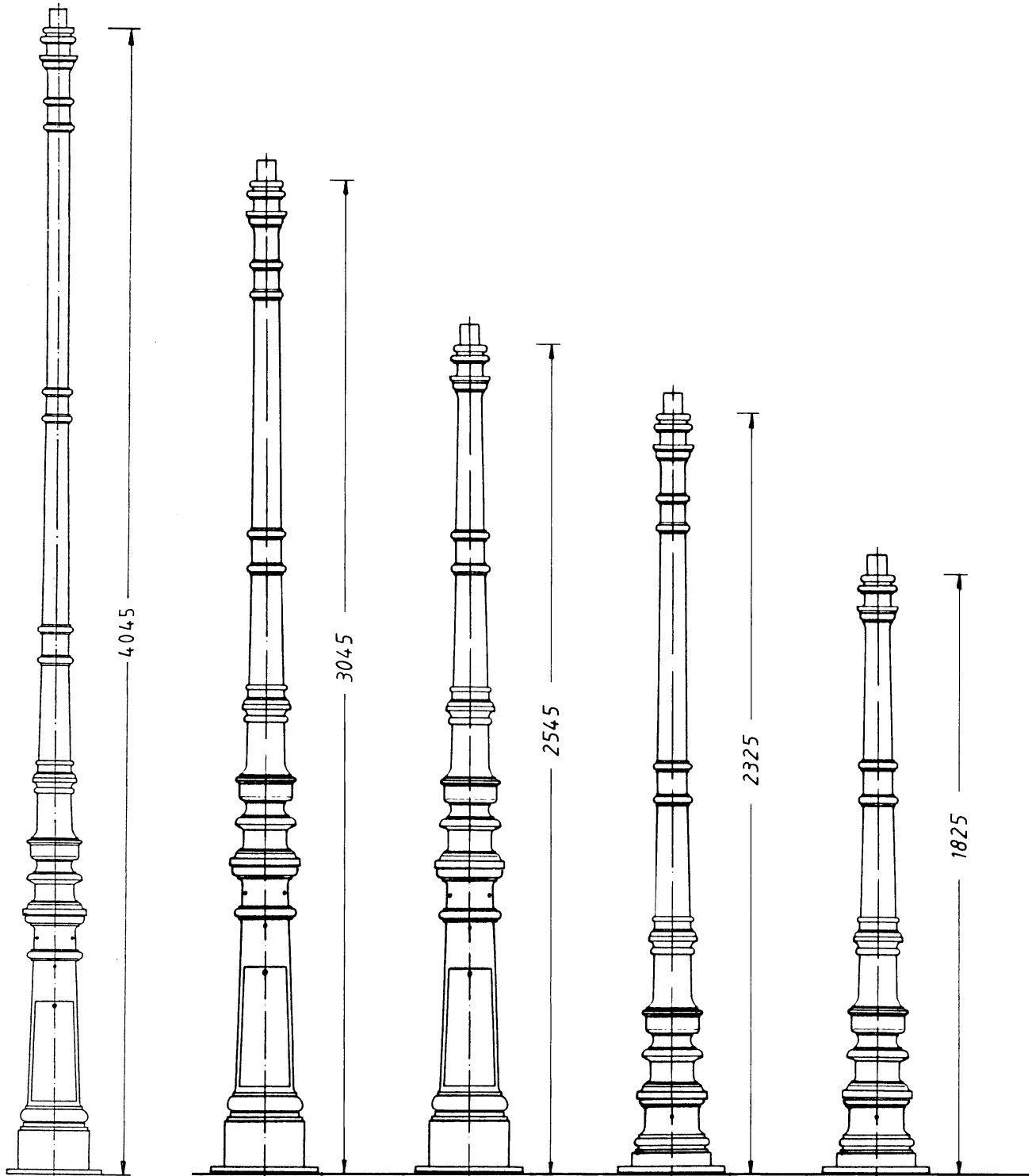


Friedhelm TRAPP GmbH

Ostring 15 - 63533 Mainhausen - Zentrale: 06182/9294-5 - Fax: 06182/9294-69 - Mail: trapp@f-trapp.de

www.f-trapp.de

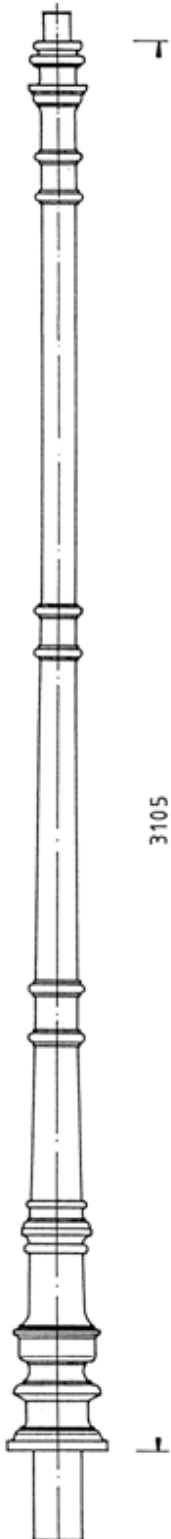
Candelabra THK-630 „Rastatt“



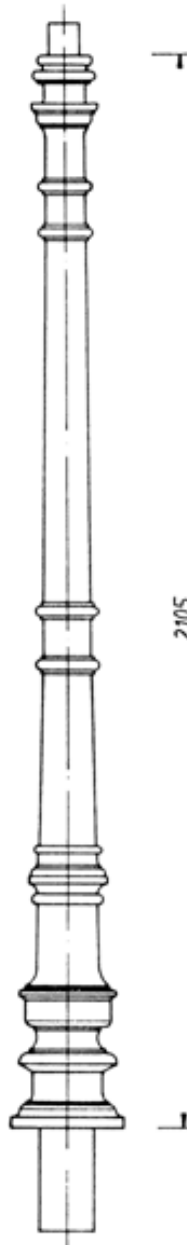
Historical Candelabra THK-630 on candelabra base THK-630-A/630-C



Candelabra THK-630 „Rastatt“

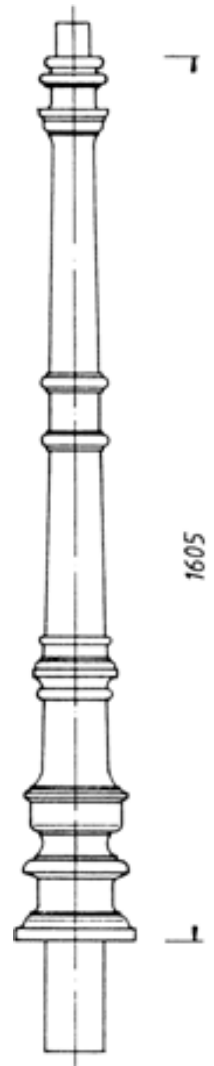


THK-630-L
Candelabra top with Spigot \varnothing 60 mm connection or flange connection
weight: approx 100 kg



THK-630-K
Candelabra top with Spigot \varnothing 60 mm connection or flange connection
Weight: approx 62 kg

THK-630
Candelabra top with Spigot \varnothing 60 mm connection or flange connection
weight: approx 90 kg



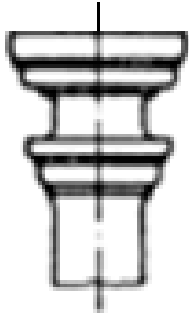


Friedhelm TRAPP GmbH

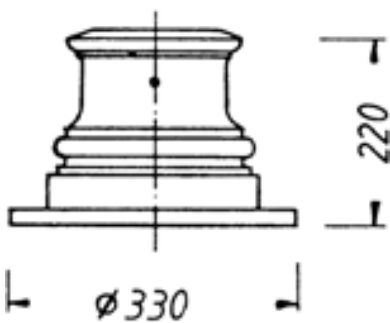
Ostring 15 - 63533 Mainhausen - Zentrale: 06182/9294-5 - Fax: 06182/9294-69 - Mail: trapp@f-trapp.de

www.f-trapp.de

Candelabra THK-630 „Rastatt“

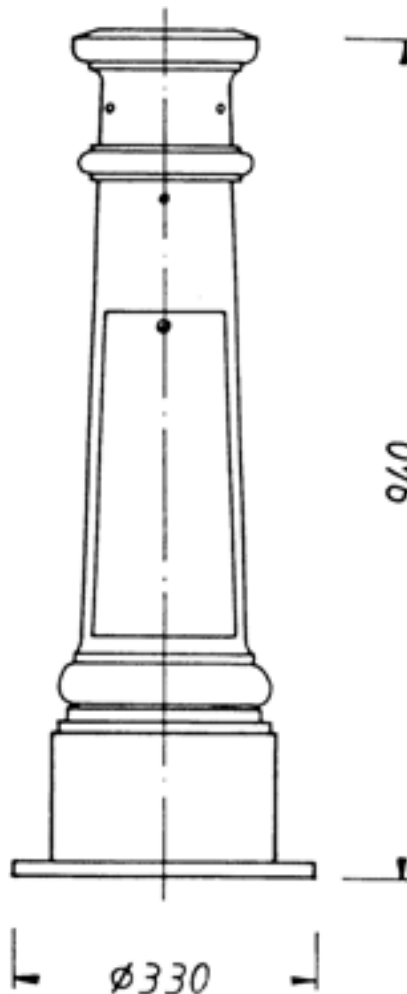


THK-630-M
Candelabra Upper part
for multiarm luminaires

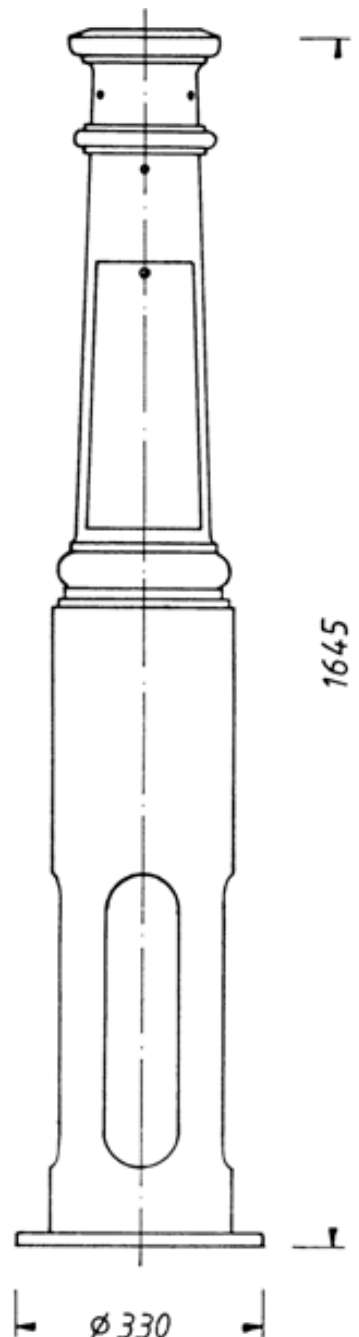


THK-630-C
Candelabra base for screwing
Weight: 29,5 kg

THK-630-A
Candelabra base with door
for screwing
Weight: approx 70 kg



THK-630-E
Candelabra base with
door for burying
Weight aprox: approx
115 kg



Historical Candelabra THK-630 with system components