



Friedhelm TRAPP GmbH

Ostring 15 - 63533 Mainhausen - Zentrale: 06182/9294-5 - Fax: 06182/9294-69 - Mail: trapp@f-trapp.de

www.f-trapp.de

Historical luminaires round

THL-310 „Buchen“



Beautiful historical roundshaped luminaire for the lighting of streets, squares, parks and facilities.
For everyone who looking for something very special.

The application can be carried out in conjunction with our historical iron candelabra, but also on wall brackets and in multiple arm combinations.

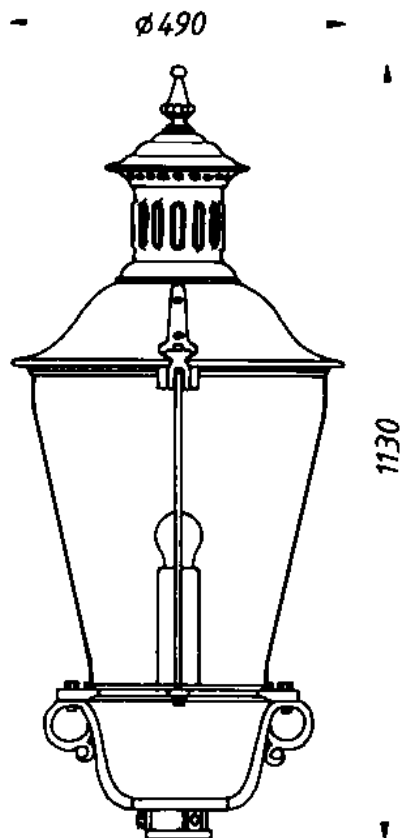


On candelabra THK-600/600-A



www.f-trapp.de

Historical luminaires round



THL-310 „Buchen“

Technical specifications

Luminaire housing:	Cast aluminum with 2 spacer tubes
Fitting roof:	Aluminum sheet, painted
Reflector:	Aluminium, white powder coated
Fastening elements:	V2A
Glass:	PC, clear or crystal glass
Varnishing:	RAL color of your choice
Installation:	LED, 1xE26 ES, 2xE26 ES, TCD, HSE, HIE, Gas, all electric parts with VDE mark
Protection category:	IP 54
Protection class:	SK I, SK II available on request
Bow luminaires:	Plaitbow ϕ 64 mm or ϕ 76 mm