



Friedhelm TRAPP GmbH

Ostring 15 - 63533 Mainhausen - Zentrale: 06182/9294-5 - Fax: 06182/9294-69 - Mail: trapp@f-trapp.de

www.f-trapp.de

Historical luminaires hexagonal

THL-200/205/1210 „Baden-Baden“



Simple variant of a historic Schinkel luminaire.

Through three different sizes, this luminaire opens up numerous application possibilities both in the public, as well as in the private sector.

The application can be carried out in conjunction with our historical iron candelabra, but also on wall brackets and in multiple arm combinations.



Several luminaires on outrigger TMA-404 at candelabra
THK-630/630-A



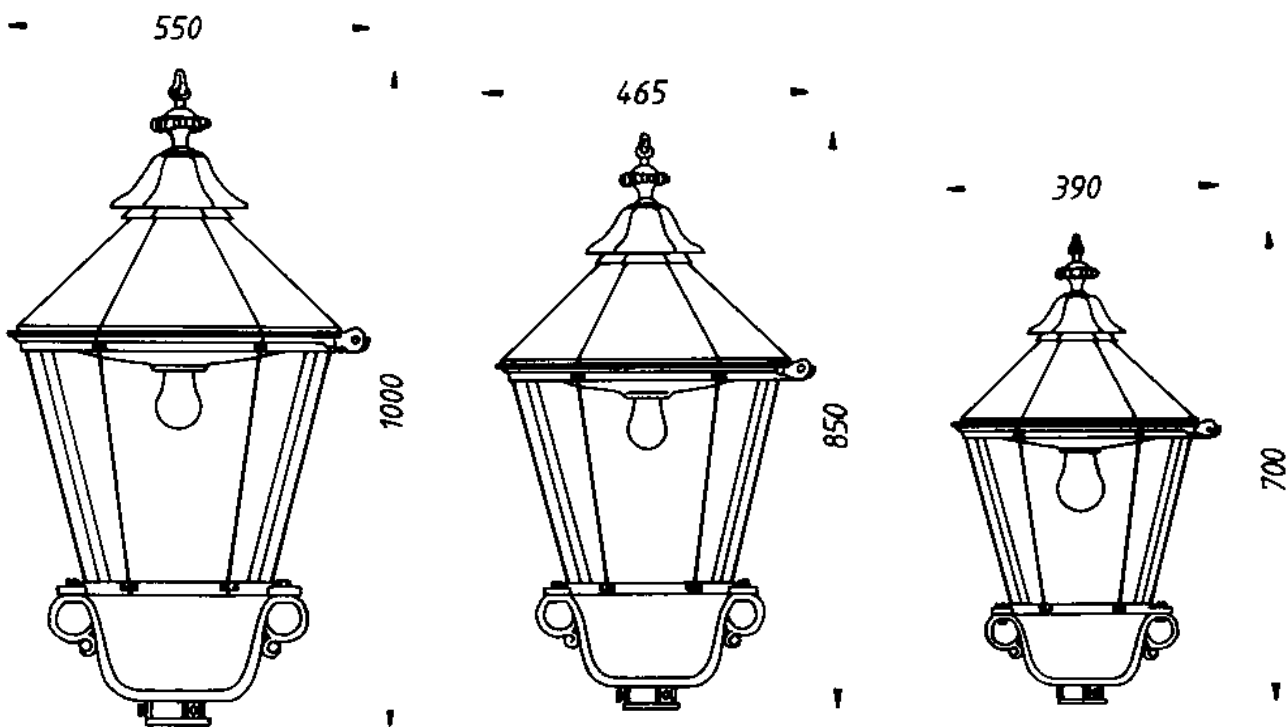
Friedhelm TRAPP GmbH

Ostring 15 - 63533 Mainhausen - Zentrale: 06182/9294-5 - Fax: 06182/9294-69 - Mail: trapp@f-trapp.de

www.f-trapp.de

Historical luminaires hexagonal

THL-200/205/1210 „Baden-Baden“



Technical specifications

Luminaire housing:

Fitting roof:

Reflector:

Fastening elements:

Glass:

Varnishing:

Installation:

Protection category:

Protection class:

Bow luminaires:

Graycast, braceless, with 2 spacer tubes

Coppersheet or aluminumsheet, painted

Aluminium, white powder coated

V2A

Crystal glass, 4 mm thick

(opal glass with extra charge)

RAL color of your choice

LED, 1xE26 ES, 2xE26 ES, TCD, HSE, HIE,

all electric parts with VDE mark,

illumination elements top mounted

IP 23

SK I, SK II available on request

Forged plaitbow, \varnothing 64 mm