



# Friedhelm TRAPP GmbH

Ostring 15 - 63533 Mainhausen - Zentrale: 06182/9294-5 - Fax: 06182/9294-69 - Mail: trapp@f-trapp.de

[www.f-trapp.de](http://www.f-trapp.de)

## Historical luminaires quadrangular

### THL-110 „Bad Homburg“



This lamp was designed using historical models.

It is suitable for the lighting of roads, squares, parks and equipment.

The application can be carried out in conjunction with our historical casting candelabra, but also on wall brackets and in multiple combinations.



On candelabra THK-600/600-A

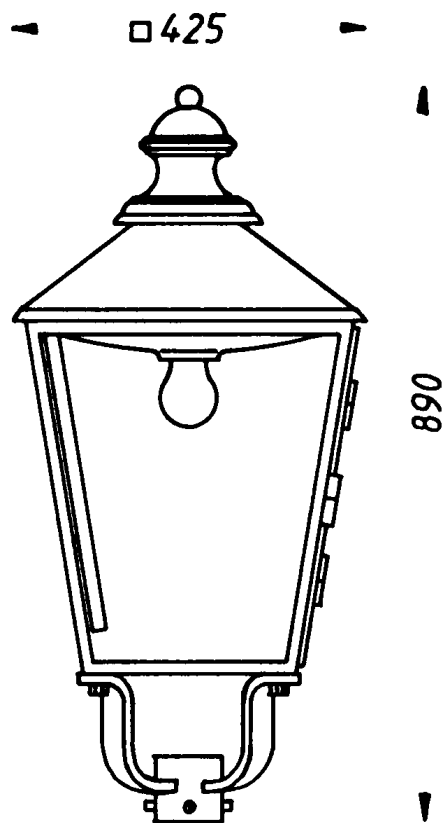


# Friedhelm TRAPP GmbH

Ostring 15 - 63533 Mainhausen - Zentrale: 06182/9294-5 - Fax: 06182/9294-69 - Mail: trapp@f-trapp.de

[www.f-trapp.de](http://www.f-trapp.de)

## Historical luminaires quadrangular



### THL-110 „Bad Homburg“

#### Technical specifications

Luminaire housing:	Steel profiles, hot-dip galvanized with struts and door
Fitting roof:	Coppersheet
Reflector:	Aluminium, white powder coated
Fastening elements:	V2A
Glass:	Crystal glass, 4 mm thick (other glasses at the option possible)
Varnishing:	RAL color of your choice
Installation:	LED, 1xE26 ES, 2xE26 ES, TCD, HSE, HIE, Gas, all electric parts with VDE mark
Protection category:	IP 23
Protection class:	SK I, SK II auf Anfrage
Bow luminaires:	Forged plaitbow, $\varnothing$ 64 mm