



Friedhelm TRAPP GmbH

Ostring 15 - 63533 Mainhausen - Zentrale: 06182/9294-5 - Fax: 06182/9294-69 - Mail: trapp@f-trapp.de

www.f-trapp.de

Decorative luminaire TML-365-368



Decorative top luminaire with mast bracket for the lighting of road space for parks and green spaces.

The universal concept of this lamp allows 4 different variations by changing the lighting shell or the upper light outlet. The installation of this luminaire can be done to cantilever and jib attachment, but also to bow poles.

The free color selection allows a wide margin of discretion for a variety of applications.



TML-368 with jib TMA-468



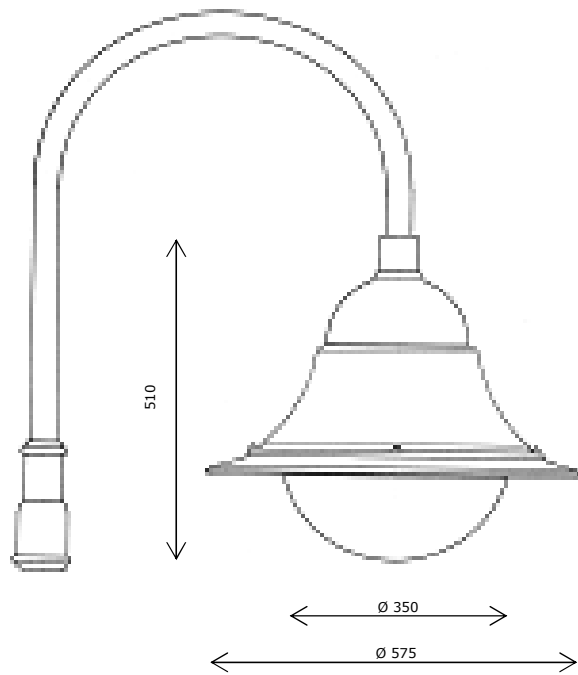
Friedhelm TRAPP GmbH

Ostring 15 - 63533 Mainhausen - Zentrale: 06182/9294-5 - Fax: 06182/9294-69 - Mail: trapp@f-trapp.de

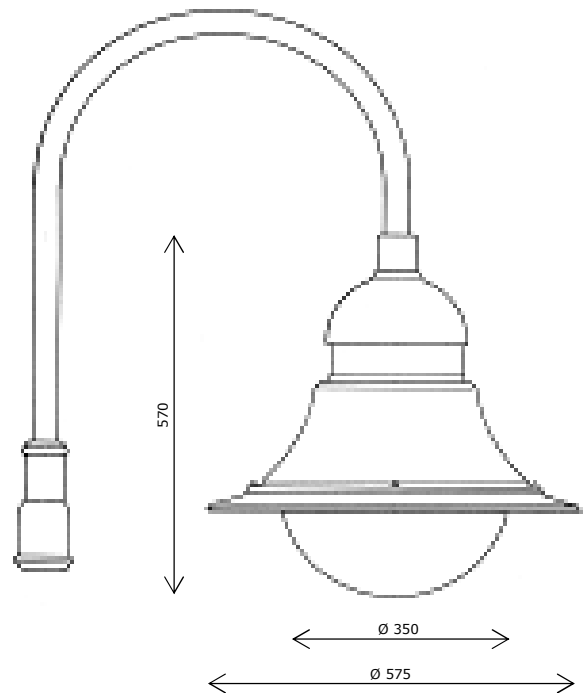
www.f-trapp.de

Decorative luminaire TML-365-368

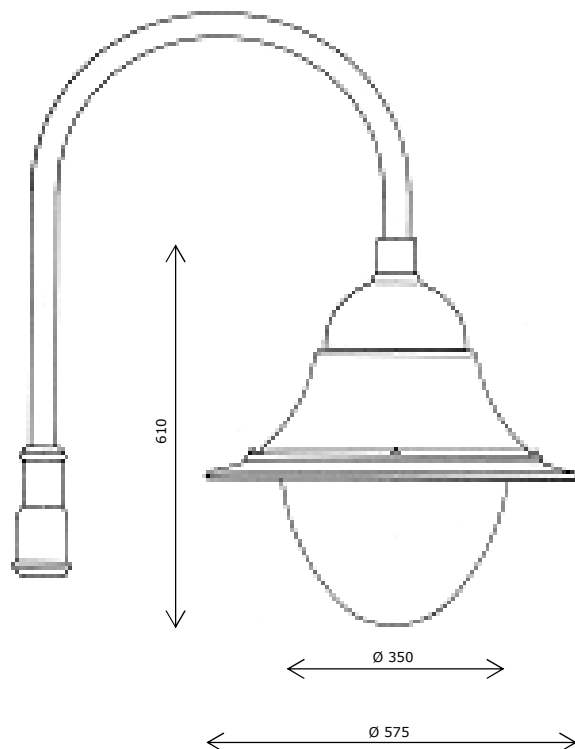
TML-365



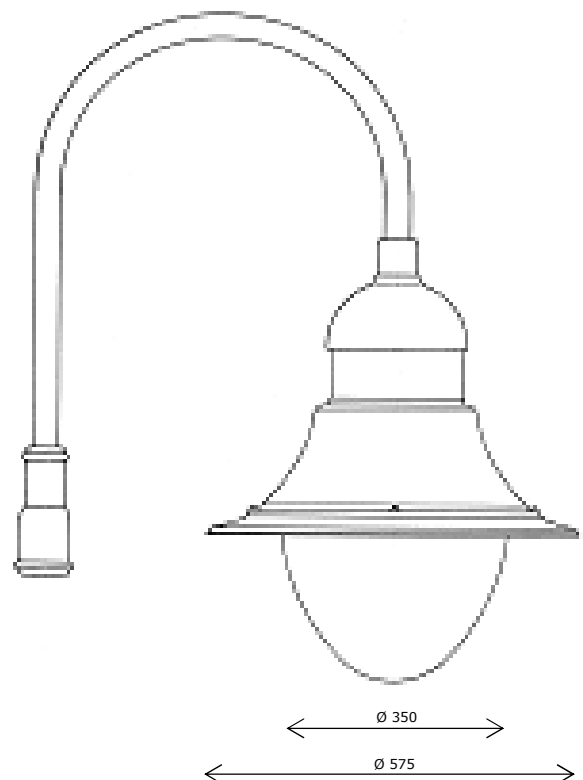
TML-366



TML-367



TML-368





Friedhelm TRAPP GmbH

Ostring 15 - 63533 Mainhausen - Zentrale: 06182/9294-5 - Fax: 06182/9294-69 - Mail: trapp@f-trapp.de

www.f-trapp.de

Decorative luminaire TML-365-368

Technical Specifications

Application areas:

Fixed illumination from:

- Residential and shopping streets
- Parks and green areas
- Representative areas
- Pedestrian areas
- Promenades
- Parking and marketplaces

Lightspot height:

3.5 m to 6.5 m. For suspended installation of tower cantilever booms, masts and bowmasts of steel.

Luminaire housing:

- Aluminium sheet / Al-casting powder coated or painted
- RAL color of your choice
- Asymmetrical specular reflector, wide distribution with a surcharge. TML 366 368 with upper light exit.

Cover: PMMA or PC (extra charge), clear, frosted or opal.

Electrical installation:

- Electrical plug block
- LED
- HSE 50 - 100 W
- HIE
- Protection class: I
- protection category: IP 44

All connecting elements made of stainless steel.



Friedhelm TRAPP GmbH

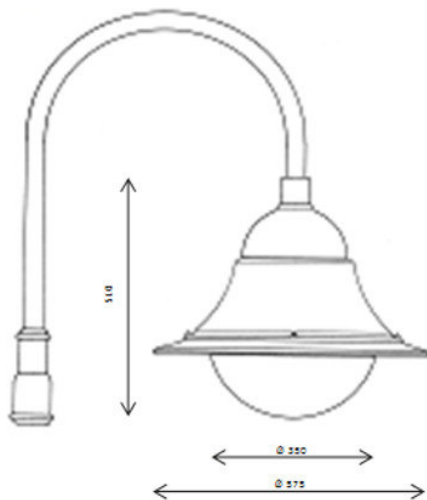
Ostring 15 - 63533 Mainhausen - Zentrale: 06182/9294-5 - Fax: 06182/9294-69 - Mail: trapp@f-trapp.de

www.f-trapp.de

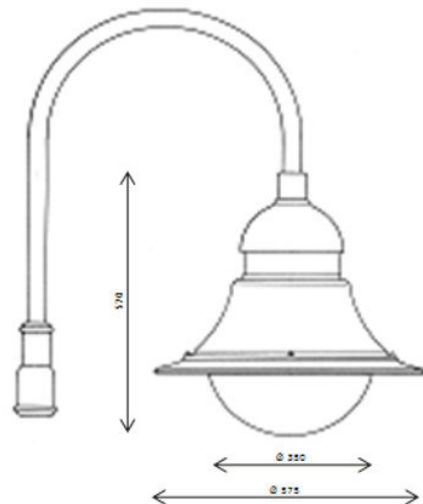
Decorative luminaire TML-365-368

Diameters

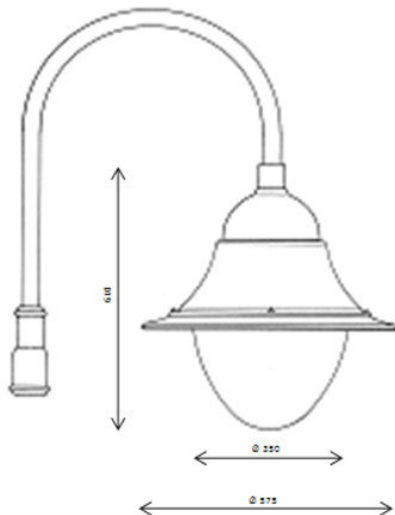
TML-365



TML-366



TML-367



TML-368

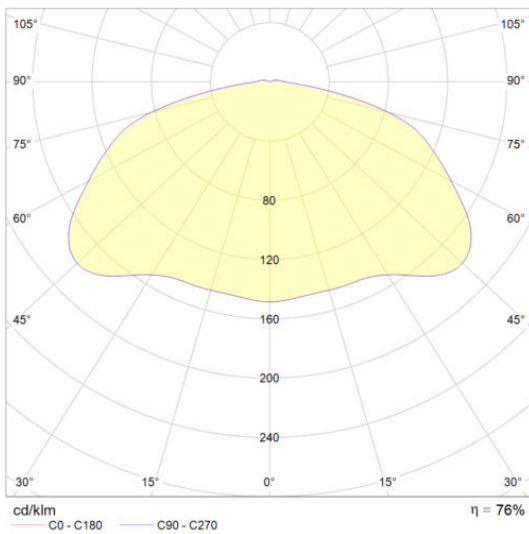




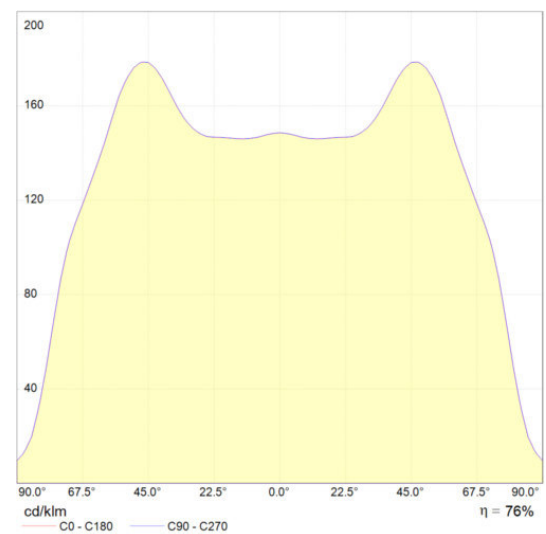
Decorative luminaire TML-365-368

Photometric data

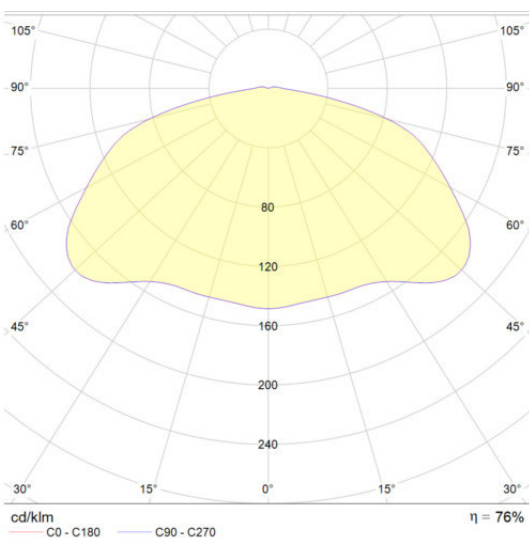
Polar graph TML-365:



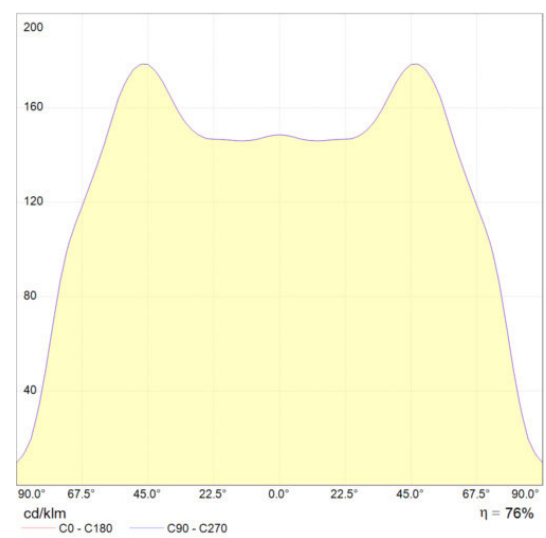
Cartesian graph TML-365:



Polar graph TML-368:



Cartesian graph TML-368:



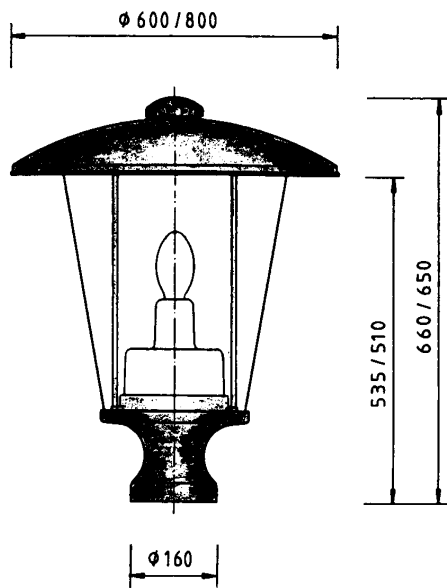


Friedhelm TRAPP GmbH

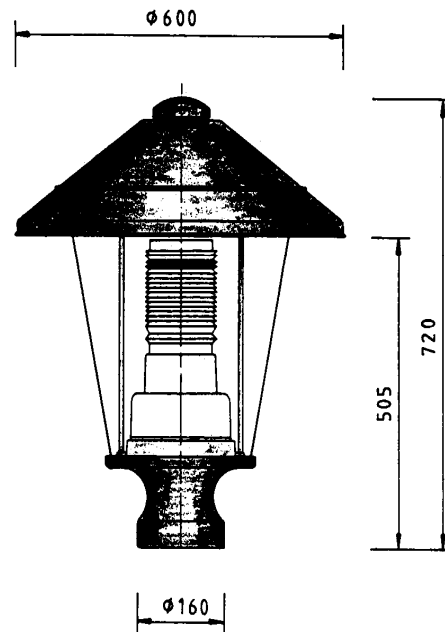
Ostring 15 - 63533 Mainhausen - Zentrale: 06182/9294-5 - Fax: 06182/9294-69 - Mail: trapp@f-trapp.de

www.f-trapp.de

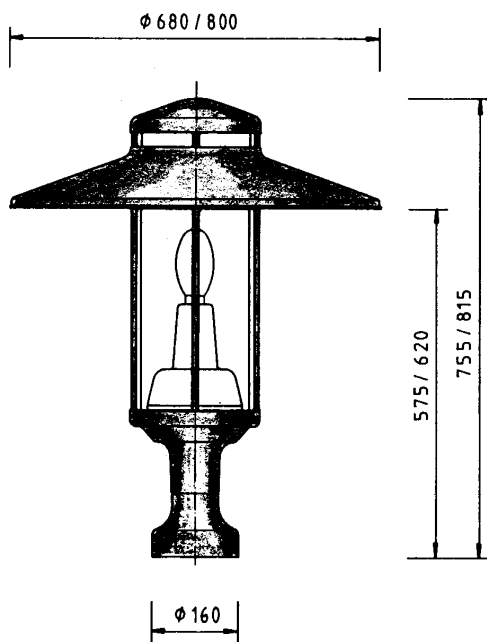
On-top Luminaires for concrete poles



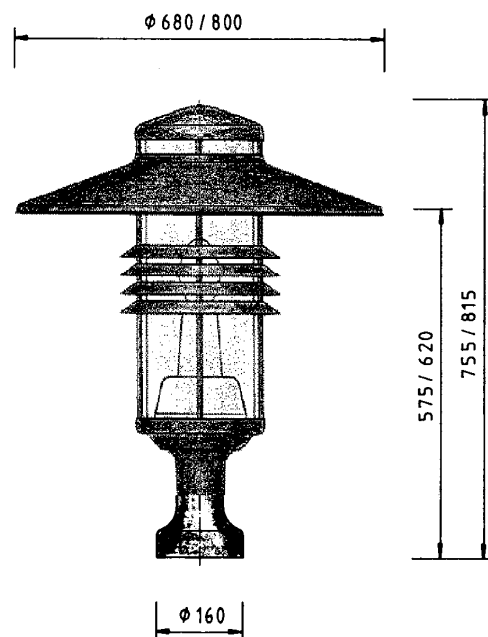
TML-343-600 / 800 B



TML-344 B



TML-347-680 / 800 B



TML-347L-680 / 800 B

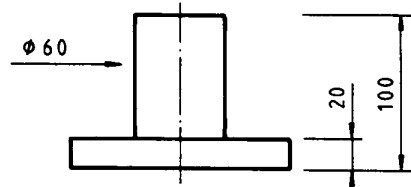
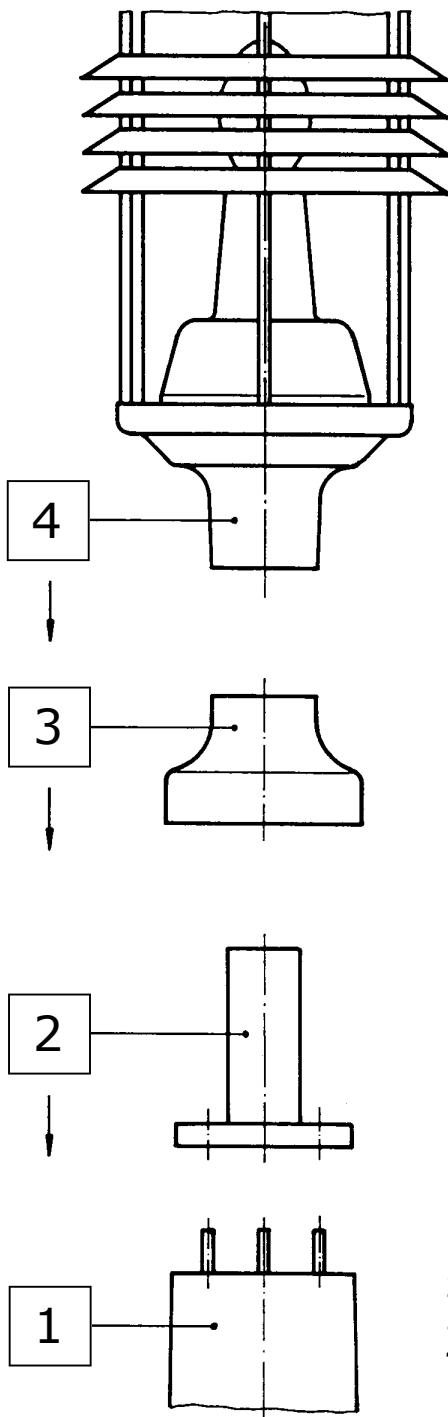


Friedhelm TRAPP GmbH

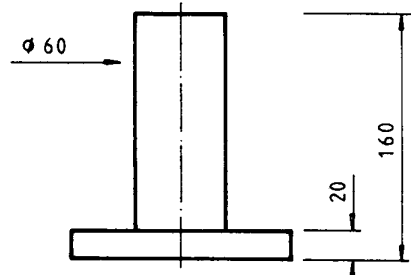
Ostring 15 - 63533 Mainhausen - Zentrale: 06182/9294-5 - Fax: 06182/9294-69 - Mail: trapp@f-trapp.de

www.f-trapp.de

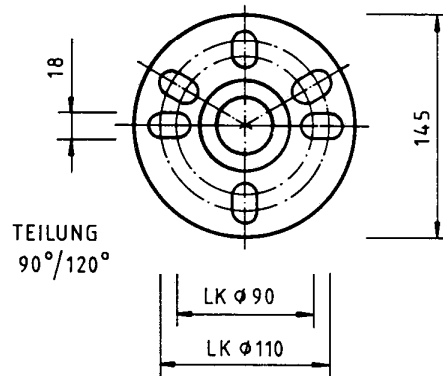
On-top Luminaires for concrete poles



Adapter for TML 343 B / 344 B
Art.-No.: 343.030














Adapter for TML 347 B / 347 LB
Art.-No.: 343.025



- 1 = Concrete pole
- 2 = Adapter
- 3 = Cap conceal (only TML 347 B / 347 LB)
- 4 = Luminaire



Luminaire poles—index

<p>Ø 60/76</p> <p>TKM 700. Zopf Ø 60</p> <p>TKM 710. Zopf Ø 76</p>  <p>Ø 123- Ø 191</p> <p>LPH: 3,0-10,0 m</p>	<p>Eingrabetiefe: Nach LPH 0,6-1,5 m</p>	<p>Ø 42</p> <p>TBM 721.</p>  <p>Ø 42</p> <p>Ausladung: ca. 0,51m</p> <p>Ø 114</p> <p>LPH: 3,0-4,5 m</p>
<p>TKM 701.</p>  <p>Ø 60</p> <p>Ø 114</p> <p>LPH: 3,0-4,5 m</p>	<p>TKM 711.</p>  <p>Ø 76</p> <p>Ø 114</p> <p>LPH: 3,0-5,0 m</p>	<p>Ø 60</p> <p>TBM 731.</p>  <p>Ø 76</p> <p>Ausladung: ca. 0,6 m</p> <p>Ø 114</p> <p>LPH: 3,0-5,0 m</p>
<p>TKM 702.</p>  <p>Ø 60</p> <p>Ø 89</p> <p>Ø 133</p> <p>LPH: 5,0-7,0 m</p>	<p>TKM 712.</p>  <p>Ø 76</p> <p>Ø 108</p> <p>Ø 133</p> <p>LPH: 5,0-7,0 m</p>	<p>Ø 60</p> <p>TBM 732.</p>  <p>Ø 76</p> <p>Ausladung: ca. 0,6 m</p> <p>Ø 108</p> <p>Ø 133</p> <p>LPH: 3,0-5,0 m</p>
<p>TKM 703.</p>  <p>Ø 60</p> <p>Ø 89</p> <p>Ø 108</p> <p>Ø 133</p> <p>LPH: 7,5-8,0 m</p>	<p>TKM 713.</p>  <p>Ø 76</p> <p>Ø 89</p> <p>Ø 108</p> <p>Ø 133</p> <p>LPH: 7,5-8,0 m</p>	<p>Ø 60</p> <p>TBM 733.</p>  <p>Ø 76</p> <p>Ausladung: ca. 0,6 m</p> <p>Ø 89</p> <p>Ø 108</p> <p>Ø 133</p> <p>LPH: 7,5-8,0 m</p>